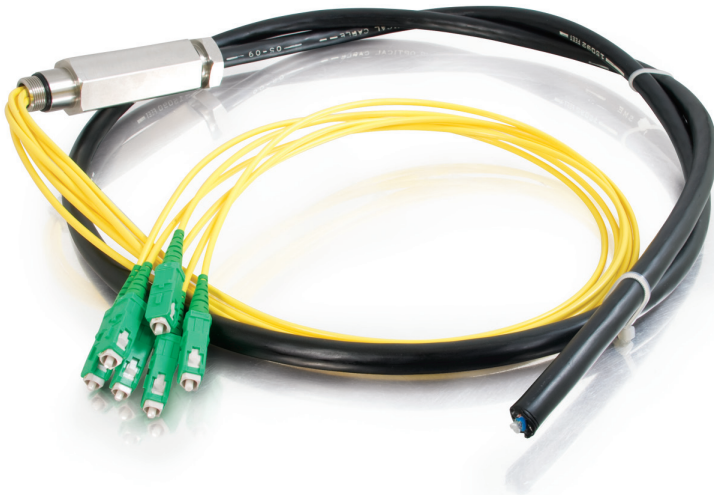




QUIKTRON
CONNECTIONS OF QUALITY



Optical Cable Nodes

Applications

- CATV
- Fiber to the Home (FTTH)
- FTTx
- Telco

Key Features & Benefits

- Available with 900um, 2 mm, or 3mm furcation legs
- Armored and non-armored outdoor loose-tube type cable
- Fiber count of up to 12 channels
- Breakout length from 12 to 96 inches

Optical Node Cables are typically used in rugged outdoor environments where customers need a pre-terminated cable with jacketed cables (typically angled SC's). These pre-terminated assemblies are available with a variety connector types including FC, LC, and SC to meet any application. The fibers are fanned out using furcation tubing which provides protection against handling and harsh environments. The stainless steel node provides an extraordinarily strong transition point into an enclosure and the stubbed end is spliced to equipment at a second location. The metal grommet will thread into a standard 5/8" input port. These features make the cables suitable for installation in severe environments where mechanical impact or wear on the cable may occur.

Optical Cable Nodes

Fiber Type: Single-mode

Cable Type: Rugged Armored or Non-Armored Outdoor Loose Tube

Typical Connector Loss: < 0.25dB @ 1550 nm

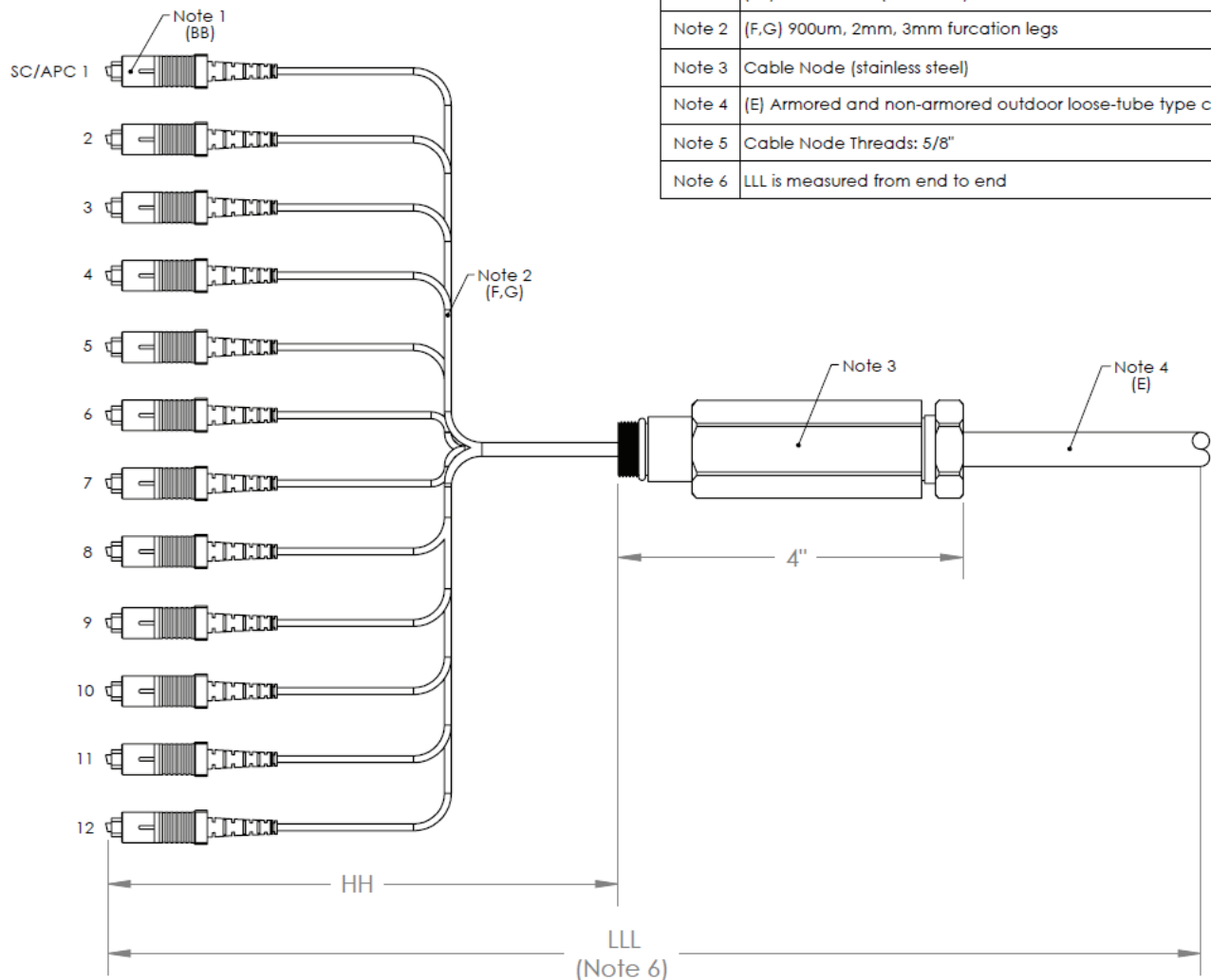
Return Loss: -55/-65 dB (UPC/APC)

Operating Temperature: -20°C to 70°C

Node Material: Stainless Steel

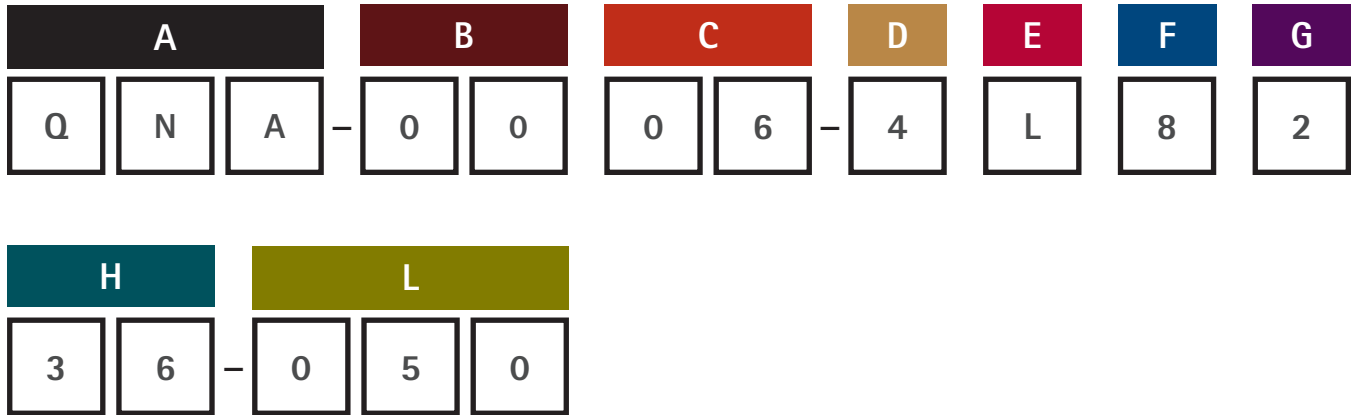


Dimensions:



Optical Cable Nodes

Part Number Generator:



Example: QNA-0006-4L8236-050 -LQ-Series Optical Node Assembly, 50' Blunt/SC/APC, SMF-28eFiber,8F Loose Tube Outdoor cable, 36" 2mm Furcated Legs

A

3 Digit Series:

CNA Corning Series Node Assembly
QNA Q Series Node Assembly

B

Connector A:

00 Blunt 05 ALC
01 LC 06 ALC
02 SC 07 AST
03 ST 08 AFC
04 FC

C

Connector B:

00 Blunt 05 ALC
01 LC 06 ALC
02 SC 07 AST
03 ST 08 AFC
04 FC

D

Fiber Type:

4 SMF-28e
6 SMF-28e XB
7 G.657.A/B

E

Cable Type:

L Loose Tube
A Armored

F

Fiber Count:

6 6 Fiber
8 8 Fiber
C 12 Fiber

G

Furcation Diameter:

2 2.0 mm
3 3.0 mm
9 900 nm

H

Breakout Length:

12 to 96 inches

L

End to End Length:

In Feet